

# *EMP 205ic AC/DC*



## Spare parts list

**Ordering number**

0558 102 553

**Product**

Rebel EMP205ic AC/DC

**Notes**

Spare parts may be ordered through your nearest ESAB dealer, see [esab.com](http://esab.com). When ordering, please state product type, serial number, denominations and ordering numbers according to the spare parts list. This facilitates dispatch and ensures correct delivery.

Maintenance and repair work should be performed by an experienced person, and electrical work only by a trained electrician. Use only recommended spare parts.

TABLE OF CONTENTS

---

**SPARE PARTS** ..... **4**  
    **Housing parts** ..... **4**  
    **Connection parts** ..... **6**  
    **User-interface parts** ..... **7**  
    **Control/power module parts** ..... **8**  
**WEAR PARTS** ..... **9**

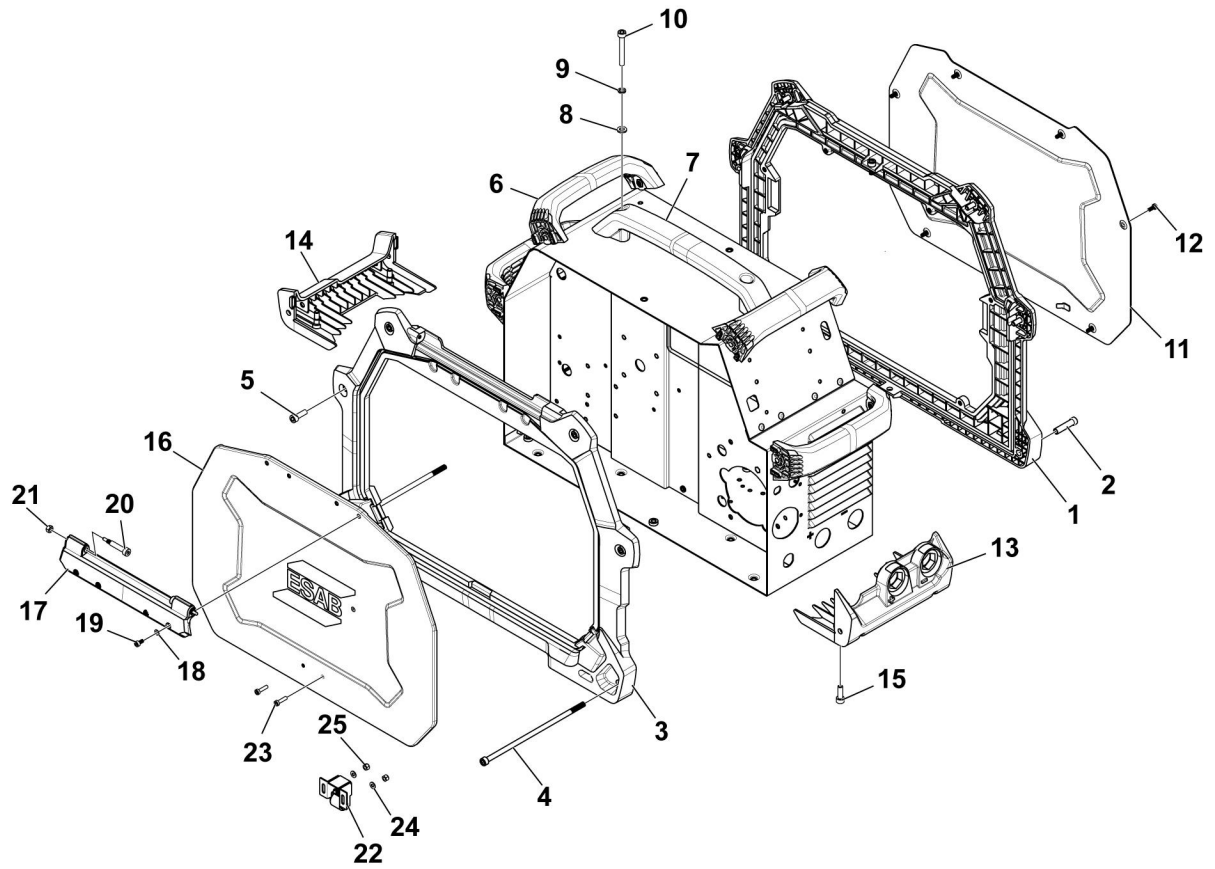
---

**SPARE PARTS**


---

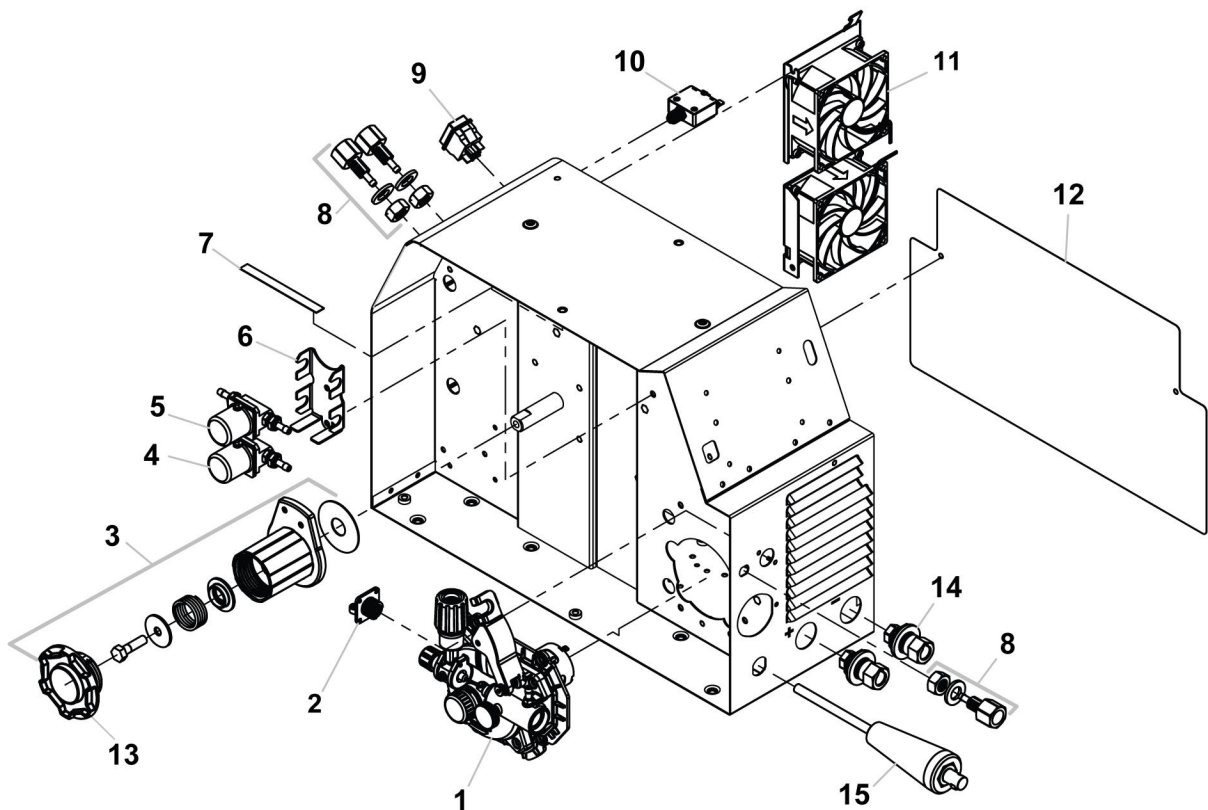
**Housing parts**

<b>Item</b>	<b>Qty</b>	<b>Ordering no.</b>	<b>Denomination</b>	<b>Notes</b>
1	1	0558 102 397	Side Frame, Power Side	
2	2		Barrel nut	M6×35
3	1	0558 102 398	Side Frame, Spool Side	
4	2	0558 102 664	Barrel bolt	M6×175
5	8		Socket head screw	M6×1×18
6	4	0558 102 399	Handle	
7	1	0558 102 400	Top handle	
8	2		Flat washer	M6
9	2		Washer split lock	M6
10	2		Socket head screw	M6×1×45
11	1	0558 102 401	Side door, power side	
12	6		Socket head low profile screw	M4×10
13	1	0558 102 402	Front foot	
14	1	0558 102 403	Rear foot	
15	4		Socket head screw	M6×1×18
16	1	0558 102 404	Side door, spool side	
17	1	0558 102 406	Hinge	
18	4		Washer	M4×8
19	4		Cap screw	M4×8
20	2	0558 102 407	Hinge pin	
21	2		Lock nut	M5
22	1	0558 102 405	Roller latchassembly	
23	2		Screw	M4×16
24	2		Flat washer	M4×9
25	2		Lock nut	M4×0.7



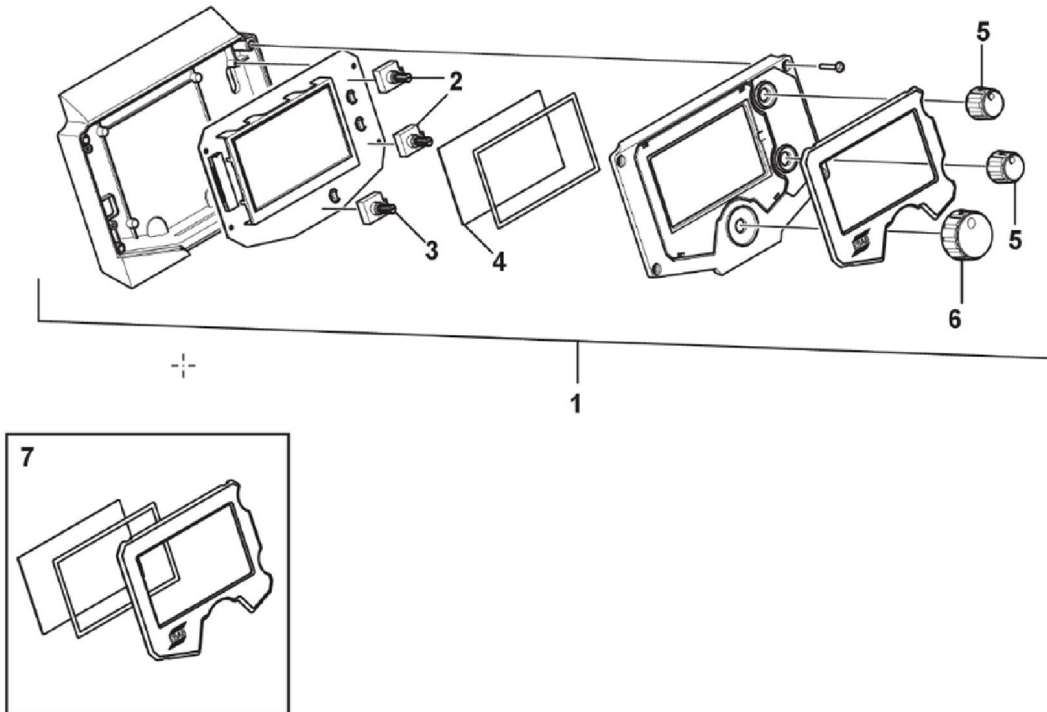
## Connection parts

Item	Qty	Ordering no.	Denomination	Notes
1	1	0558 102 408	Wire feeder mechanism	
2	1	0558 102 647	8-pin Remote Cable Assembly	
3	1	0558 102 411	Brake hub kit	
4	1	0558 102 648	MIG Solenoid Gas Assembly	
5		0558 102 649	TIG Solenoid Gas Assembly	
6	1	0558 102 925	Dual Solenoid Bracket	
7	1	0558 102 650	LED Wire Harness Assembly	
8	3	0558 102 414	Gas connector, CSA	
9	1	0558 102 415	Main supply switch	
10	1	0558 102 521	Circuit breaker	
11	1	0558 102 646	Fan Bracket Assembly	
12	1	0558 102 651	Protective Mylar Sheet	
13	1	0558 102 410	Brake hub nut	
14	2	0558 102 418	OKC Contact, Female	
15	1	0558 102 419	Polarity Change Cable Assembly	



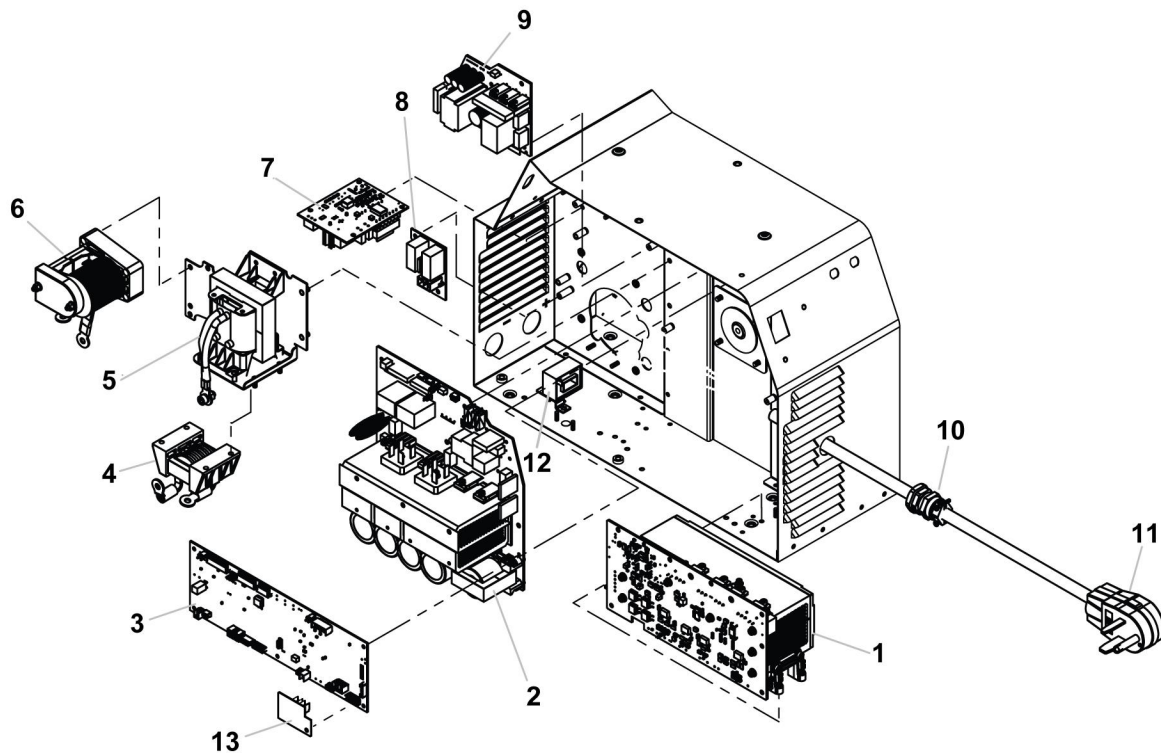
## User-interface parts

Item	Qty	Ordering no.	Denomination	Notes
1	1	0464 663 074	EMP 205ic panel assembly	
2	2	0558 102 423	Encoder for small knob	
3	1	0558 102 424	Encoder for large knob	
4	1	0558 102 438	Replaceable display lens	
5	2	0558 102 440	Knob, small	
6	1	0558 102 441	Knob, large	
7	1	0558 102 653	EMP 205ic lens assembly kit	



## Control/power module parts

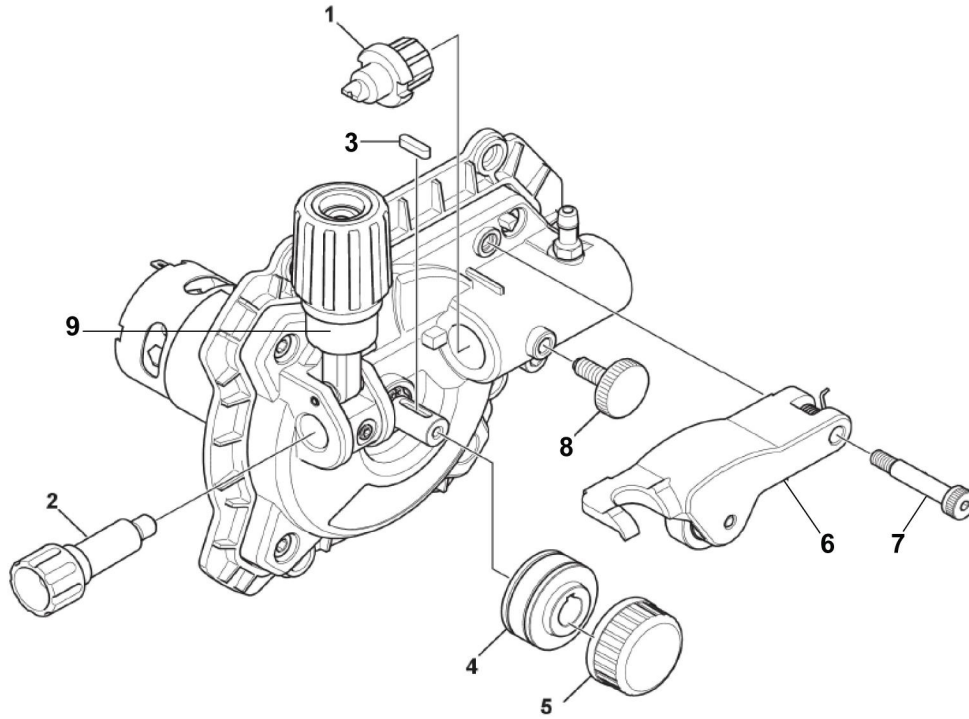
Item	Qty	Ordering no.	Denomination	Notes
1	1	0558 102 655	AC/DC Module	
2	1	0558 102 654	Main Power PCBA	
3	1	0558 102 607	Control PCBA	
4	1	0558 102 659	Output Inductor Assembly	
5	1	0558 102 661	Main Transformer Assembly	
6	1	0464 637 011	HF Inductor Assembly	
7	1	0558 102 657	HF PCBA	
8	1	0464 637 012	HF Bypass PCBA	
9	1	0558 102 658	IPS PCBA	
10	1	0558 102 662	Strain relief assembly	
11	1	0464 637 014	Mains Cable with Input Power Plug	
12	1	0558 102 417	Current sensor	
13	1	0465 689 003	Fan PCBA EMP 205	





## WEAR PARTS

Item	Qty	Ordering No.	Denomination	Wire type	Wire dimensions
1	1	0558 102 326	Wire outlet guide	Fe/SS/ Flux Cored	0.030 in. / 0.035 in. / 0.045 in. (0.7 mm / 0.8 mm / 1.1 mm )
	1	0558 102 327	Wire outlet guide	Fe/SS/ Flux Cored	0.024 in. (0.6 mm)
2	1	0558 102 328	Wire inlet guide	Fe/SS/ Flux Cored	0.024 in. / 0.030 in. / 0.035 in. / 0.045 in. (0.6 mm / 0.7 mm / 0.8 mm / 1.1 mm)
3	1	0558 102 334	Key-drive shaft	N/A	N/A
4	1	7977036	Feed roll "V" groove	Fe/SS	0.024 in. / 0.030 in. (0.6 mm / 0.7 mm)
	1	W4014800	Feed roll "V" groove	Fe/SS	0.024 in. / 0.035 in. (0.6 mm / 0.8 mm)
	1	7977732	Feed roll "V" knurled	Flux Cored	0.030 in. / 0.035 in. (0.7 mm / 0.8 mm)
	1	7044277	Feed roll "V" knurled	Flux Cored	0.045 in. (1.1 mm)
5	1	0558 102 518	Feed roller retaining knob	N/A	N/A
6	1	0558 102 331	Pressure arm complete assembly	N/A	N/A
7	1	0558 102 330	Screw	N/A	N/A
8	1	0558 102 332	MIG torch locking knob	N/A	N/A
9	1	0558 102 329	Locking knob (Wire tension)	N/A	N/A







# A WORLD OF PRODUCTS AND SOLUTIONS.



For contact information visit [esab.com](http://esab.com)

ESAB AB, Lindholmsallén 9, Box 8004, 402 77 Gothenburg, Sweden, Phone +46 (0) 31 50 90 00

<http://manuals.esab.com>

